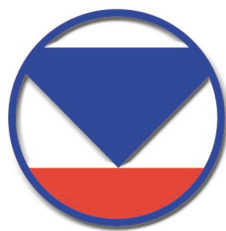


AL-425

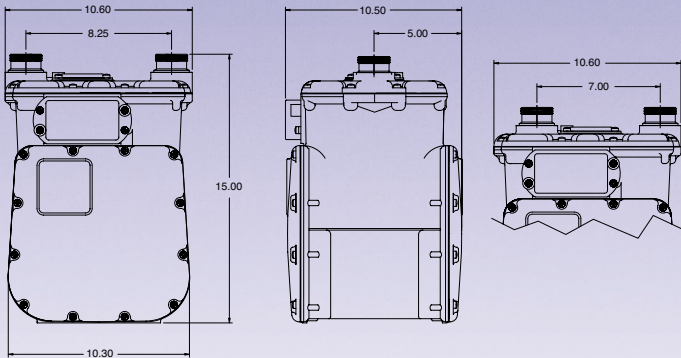
more capacity • residential/commercial service
25 PSI MAOP, 425 cfh at 1/2-inch w.c. differential



AMERICAN
METER COMPANY

AL-425

- One-piece, die-cast aluminum case
- Oil impregnated, self-lubricating bearings
- Convulated duramic diaphragms
- Rigid, reinforced flag rods
- Graphite-filled, phenolic valves
- Long-life grommet seals
- Automatic meter reader compatibility
- Temperature compensation available from -30°F to 140°F
- 10 or 25 PSI MAOP
- 20 LT, 30 LT, 45 LT and #3-4 Sprague connection sizes
- Full warranty
- Pointer or odometer index



WEIGHT = 21 lbs.

Reference Materials

- Installation Instructions AIM-3715
- Operation/Maintenance Manual & Video 52722P002
- Repair Parts List RPL-3806

AMC Quality System
QMI is Accredited by:



ISO 9001 Certified Certificate #006697



Dutch Council for Accreditation

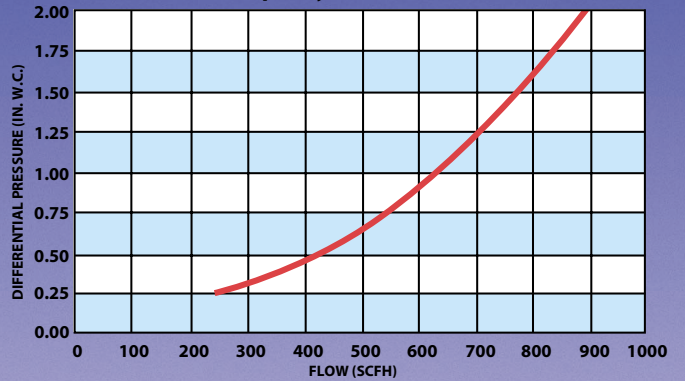
APPLICATIONS —
This meter is ideally suited for larger residential or small commercial/industrial installations. Its 25 PSIG MAOP case-rating affords the opportunity to utilize pressure factor measurement. Pressure equivalent indexes are available.

Rated Gas Capacity For 0.60 S.G. Gas

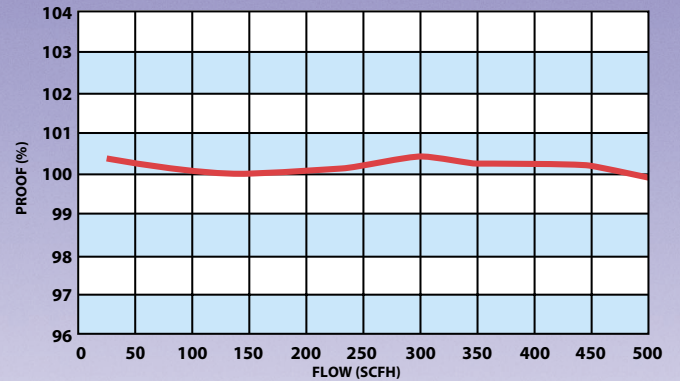
Inlet Pressure PSIG	Inches W.C. Differential	Capacity SCFH
.25	1/2"	425 ^{1,2}
.25	2"	898
1	2"	920
2	2"	955
5	2"	1038
10	2"	1154
15	2"	1269
20	2"	1367
25	2"	1462

- 1 - Propane - 268 cfh
- 2 - Butane - 234 cfh

AL-425 Capacity Curve @ .25 PSIG Inlet



AL-425 Proof Curve



Order Information:

- Model No.: _____
- Regular or Temperature Compensated: _____
- U.S. or Metric: _____
- Size of Connection: _____
- Type of Index: _____
- Proof Preference: 100 +/- 1% _____
- Standard Color or ASA #49 Grey: _____

Contact American Meter with any questions or orders at the address and phone number below.

American Meter Company has a program of continuous product development and improvement and, therefore, the information in this bulletin is subject to change or modification without notice.



Measurement Engineers Since 1836

Yesterday...Today...Tomorrow

300 Welsh Road, Building One
Horsham, PA 19044-2234
Phone: 215/830-1800
Fax 215/830-1890
www.americanmeter.com



275 Industrial Road
Cambridge, Ontario
Canada N3H 4R7
Phone: 519/650-1900
Fax 519/650-1717
www.americanmeter.com

